

SIDE



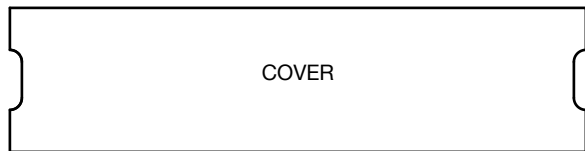
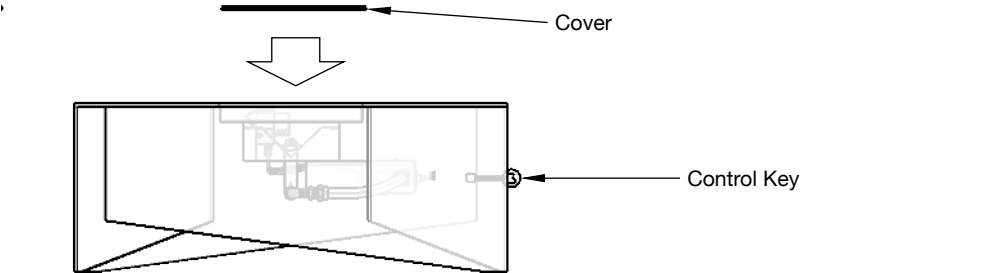
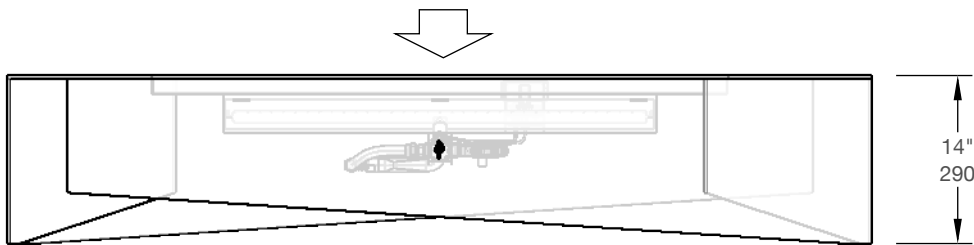
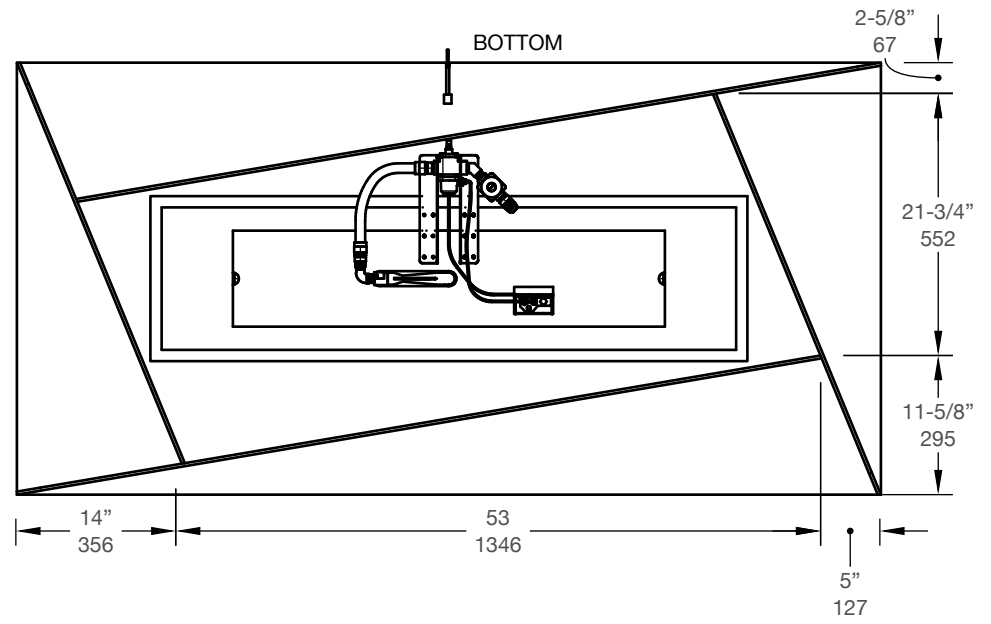
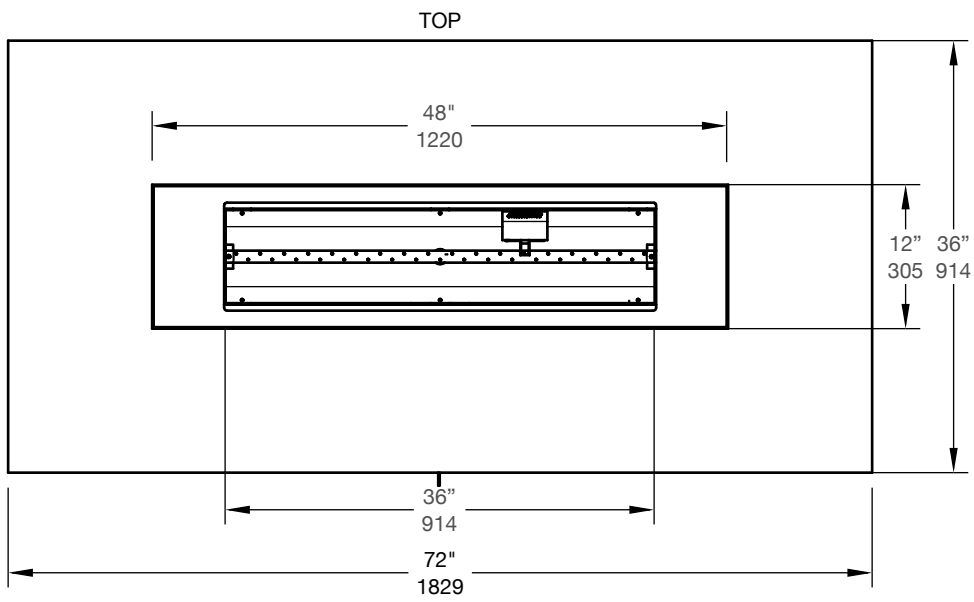
COVER

Technical Data

Burner Model:	Natural Gas	Propane
Heat Output:	LIN-E-36	LIN-E-36P
Clearances to Combustibles:	60,000 BTU/h / 18 kW	57,000 BTU/h / 18 kW
Available Finishes:	Above: 72" Below: 0" Sides: 4"	
Available Accessories:	Powder-coated Aluminum: Black, White, Graphite or Corten Steel	
Burner Certifications & Standards:	Tempered Glass Screen	
Installed Weight (Aluminum; Corten):	US & Canada - ETL ANSI Z21.97 CSA 2.4.1	
Crated Weight (Aluminum; Corten):	UK & EU - CE GAR (EU) 2016/426; Switzerland - SVGW	
Crate Size:	up to 240 lbs 110 kg; up to 330 lbs 150 kg	
Vessel Material & Weight:	up to 400 lbs / 180 kg; up to 500 lbs / 225 kg	
	76"x40"x23"h / 193x102x59 cm	
	3/16" Corten Steel 250 lbs/115 kg; 1/4" Aluminum 130 lbs/60 kg	

For more information, visit paloform.com/fire-pits/fold





Technical Data

	Natural Gas	Propane
Burner Model:	LIN-M-36	LIN-M-36P
Heat Output:	60,000 BTU/h / 18 kW	57,000 BTU/h / 18 kW
Clearances to Combustibles:	Above: 72" Below: 0" Sides: 4"	
Available Finishes:	Powder-coated Aluminum: Black, White, Graphite or Corten Steel	
Available Accessories:	Tempered Glass Screen	
Burner Certifications & Standards:	US & Canada - ETL ANSI Z21.97 CSA 2.4.1 UK & EU - CE GAR (EU) 2016/426; Switzerland - SVGW	
Installed Weight (Aluminum; Corten):	up to 240 lbs 110 kg; up to 330 lbs 150 kg	
Crated Weight (Aluminum; Corten):	up to 400 lbs / 180 kg; up to 500 lbs / 225 kg	
Crate Size:	76"x40"x23"h / 193x102x59 cm	
Vessel Material & Weight:	3/16" Corten Steel 250 lbs/115 kg; 1/4" Aluminum 130 lbs/60 kg	

For more information, visit paloform.com/fire-pits/fold

