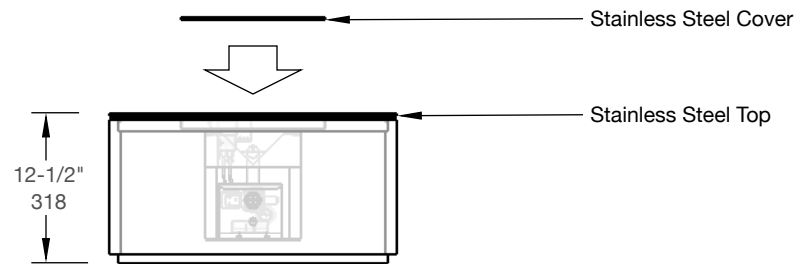
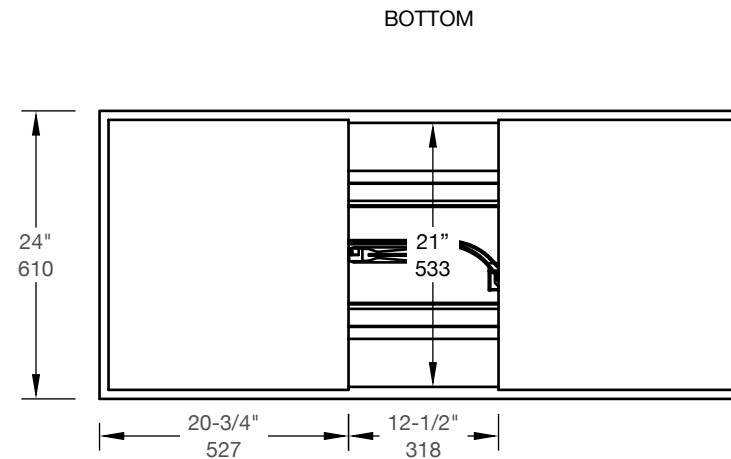
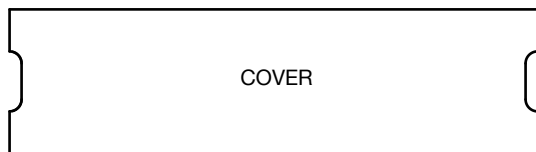


SIDE



Technical Data

Burner Model:

Heat Output:

Clearances to Combustibles:

Available Finishes:

Available Accessories:

Burner Certifications & Standards:

Installed Weight:

Crated Weight:

Crate Size:

Vessel Material & Weight:

Natural Gas

LIN-E-36

60,000 BTU/h / 18 kW

Above: 72" Below: 0" Sides: 8"

Concrete: Charcoal, Ash, Nougat; Brushed Stainless Steel Top

Tempered Glass Screen

US & Canada - ETL ANSI Z21.97 CSA 2.4.1

UK & EU - CE GAR (EU) 2016/426; Switzerland - SVGW

up to 425 lbs | 190 kg

up to 550 lbs / 250 kg

60"x30"x21"h / 152x76x53 cm

Cast Concrete 235 lbs / 106 kg

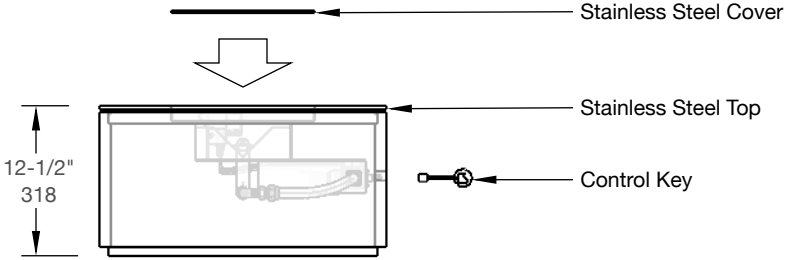
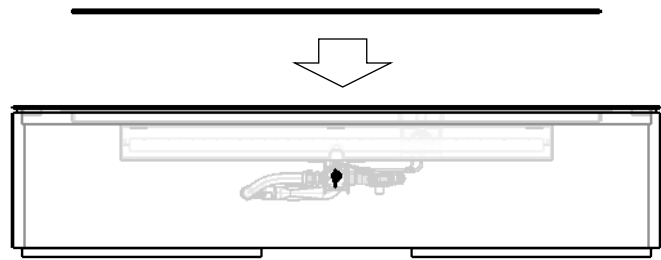
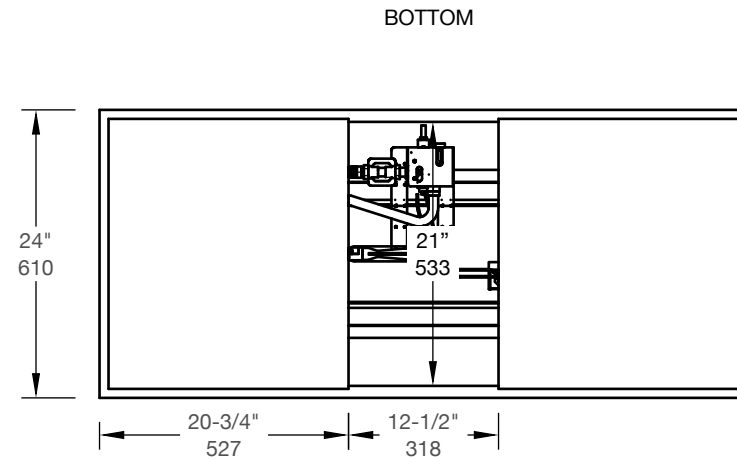
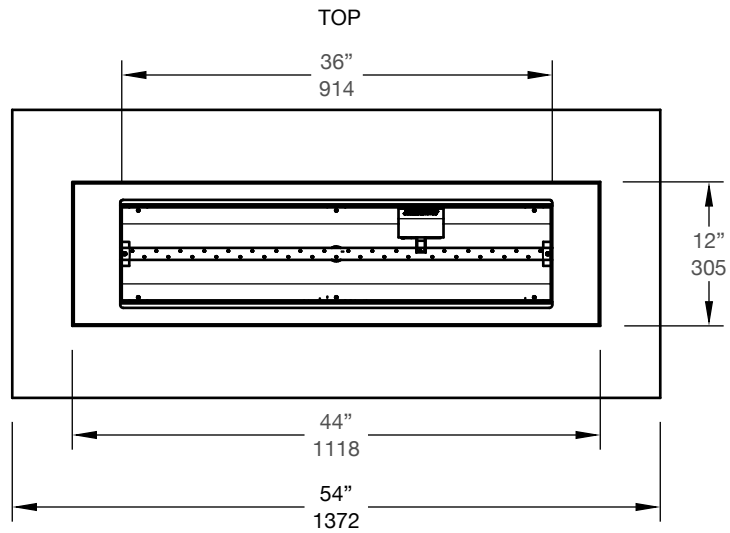
Propane

LIN-E-36P

57,000 BTU/h / 18 kW

For more information, visit paloform.com/fire-pits/robata





SIDE



COVER

Technical Data

	Natural Gas	Propane
Burner Model:	LIN-M-36	LIN-M-36P
Heat Output:	60,000 BTU/h / 18 kW	57,000 BTU/h / 18 kW
Clearances to Combustibles:	Above: 72" Below: 0" Sides: 8"	
Available Finishes:	Concrete: Charcoal, Ash, Nougat; Brushed Stainless Steel Top	
Available Accessories:	Tempered Glass Screen	
Burner Certifications & Standards:	US & Canada - ETL ANSI Z21.97 CSA 2.4.1 UK & EU - CE GAR (EU) 2016/426; Switzerland - SVGW	
Installed Weight:	up to 425 lbs 190 kg	
Crated Weight:	up to 550 lbs / 250 kg	
Crate Size:	60"x30"x21"h / 152x76x53 cm	
Vessel Material & Weight:	Cast Concrete 235 lbs / 106 kg	

For more information, visit paloform.com/fire-pits/robata

